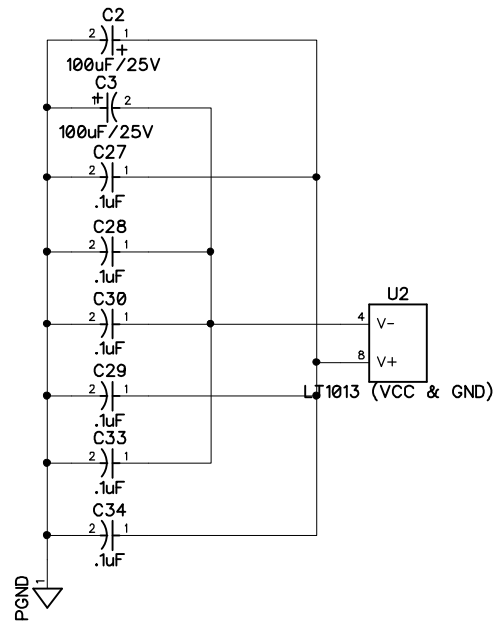


USES +/- 16VDC directly from Chassis



48V IN

