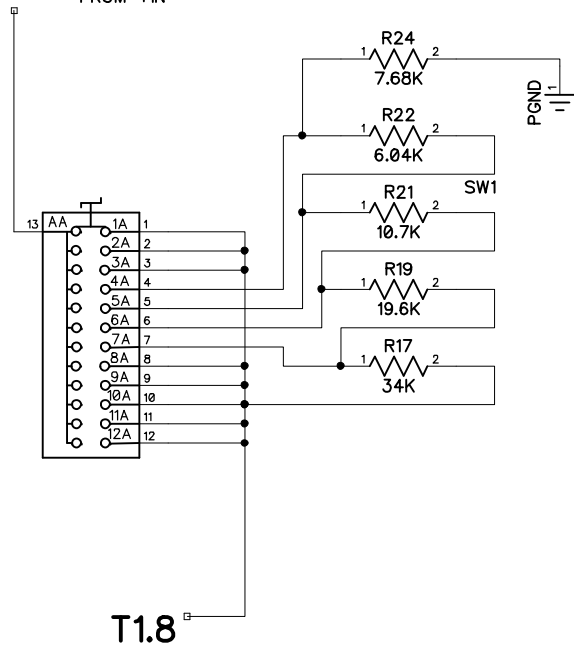


Input + SC25 FROM +IN



Input - SC25 FROM -IN

