

U2 OUT  
C205  
2.2uF/63

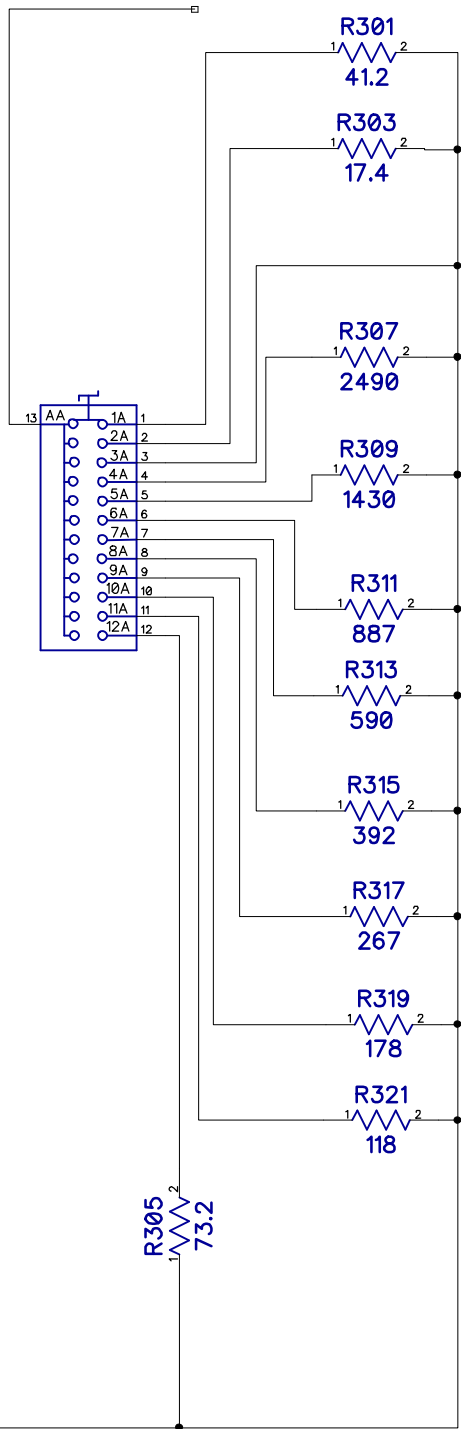
U5 OUT  
C215  
2.2uF/63

To Filter

From Filter

CONN201

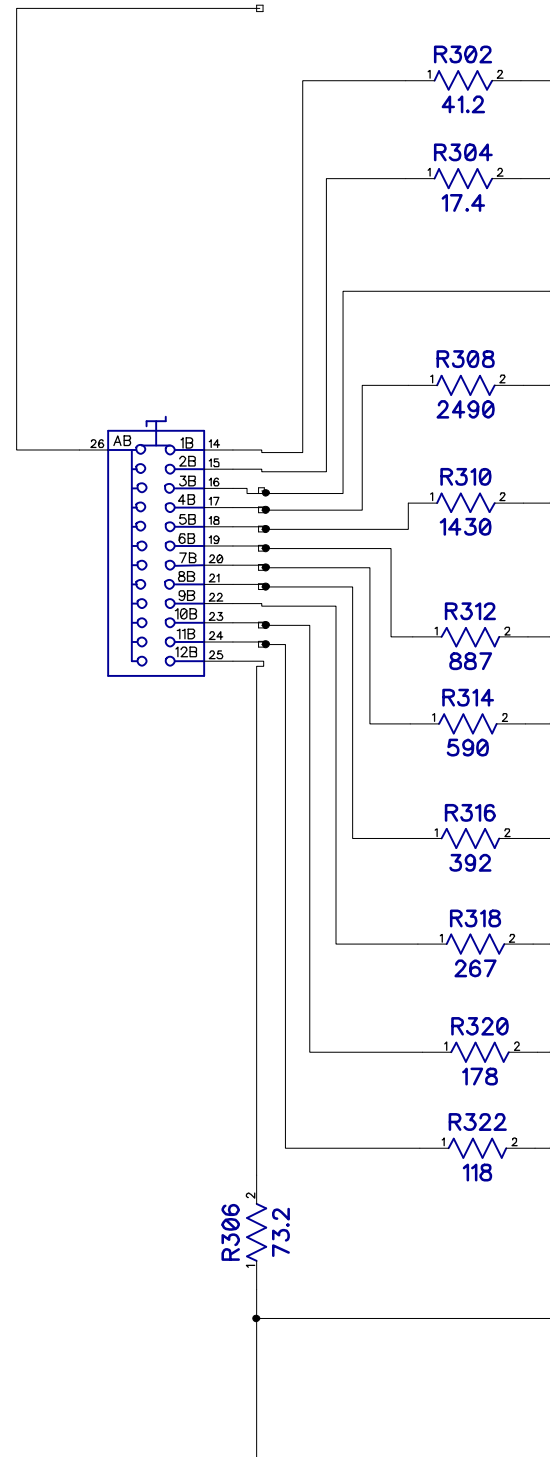
R109



SW301

U102.6

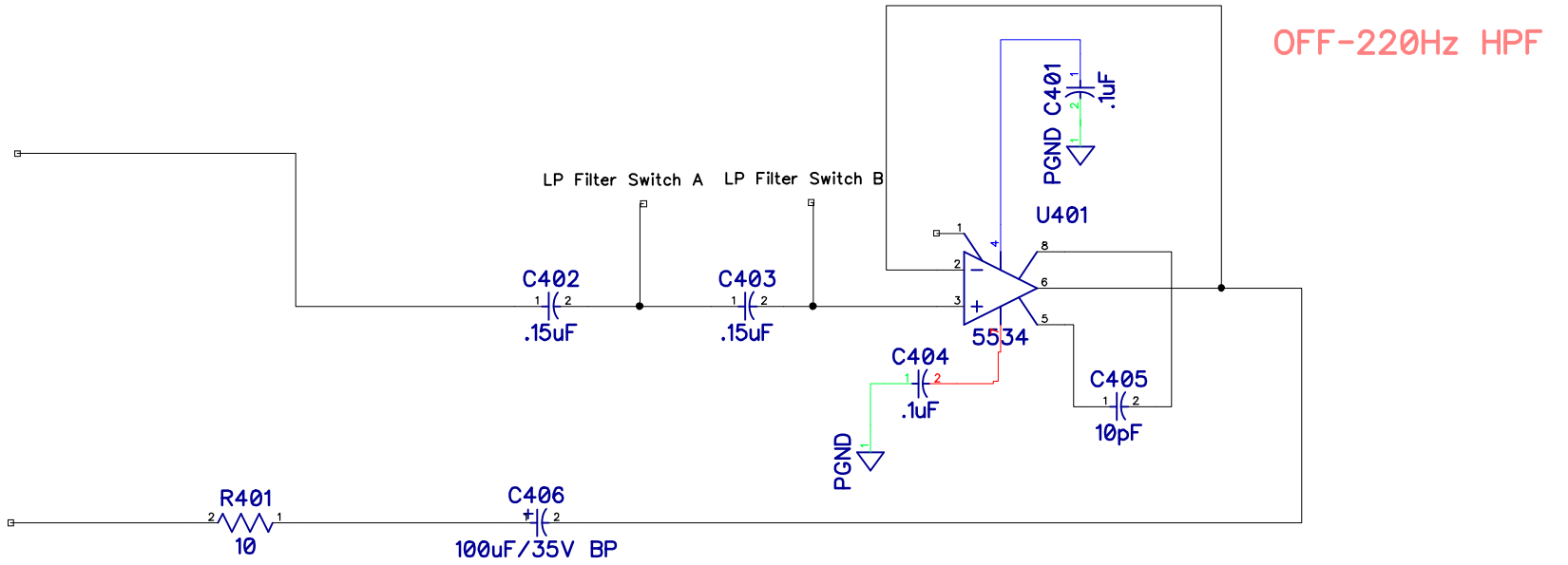
U201.2



R213

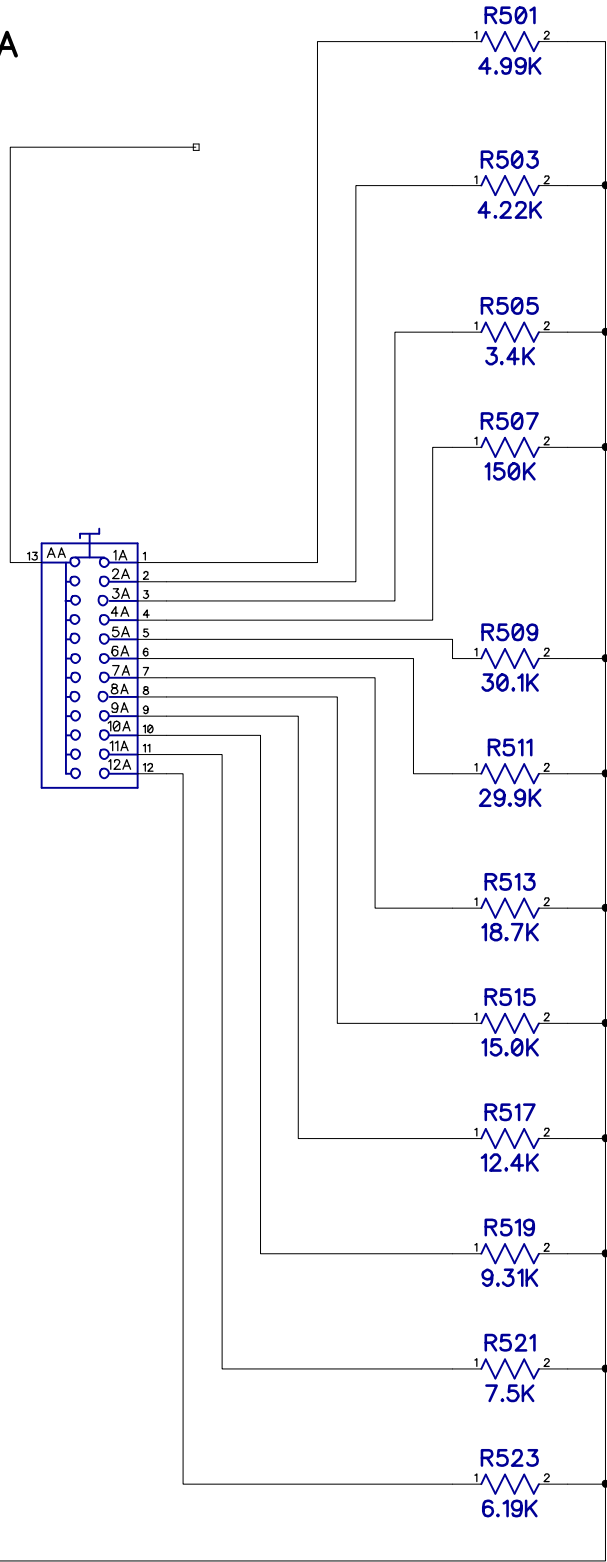
To Filter

From Filter



# LP Filter Switch A

SW501



LP Filter Out

# LP Filter Switch B

