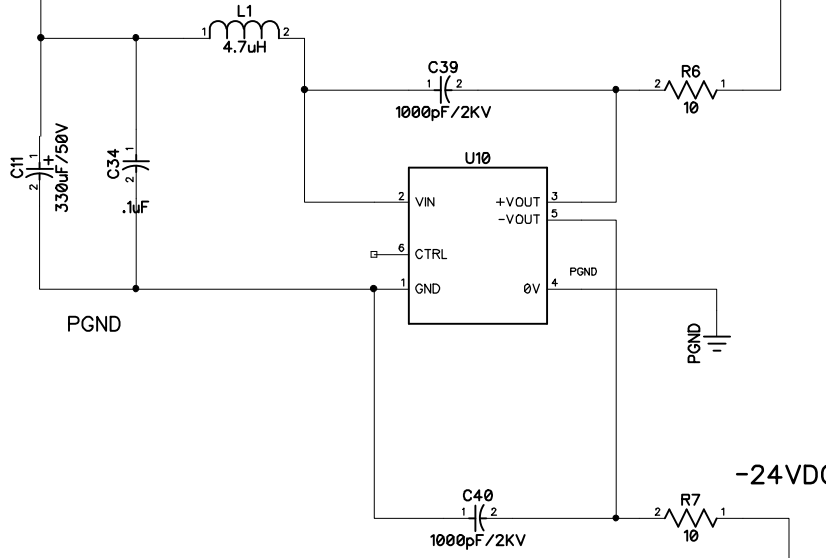


+16 IN



+24VDC

-24VDC

+/-18V

48V IN

+48V

